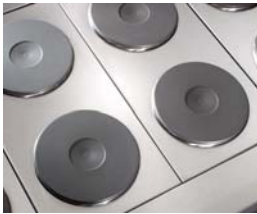


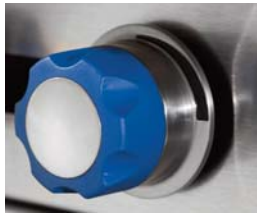
Model Number  
IHPA-2-12-E  
IHPA-4-24-E  
IHPA-6-36-E  
IHPA-8-48-E  
IHPA-10-60-E



9" (229 mm) sealed round plate elements with easy to clean flat surface.



Large 5" (127 mm) stainless steel landing ledge for convenient plating.



Durable cast aluminum with a Valox™ heat protection grip.



IHPA-6-36-E shown

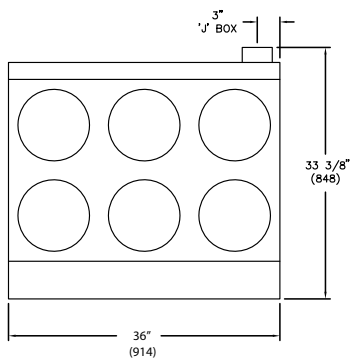
#### ROUND PLATE ELEMENTS - 2 KW round plate elements with easy-to-clean flat surface.

- Provides a solid flat surface for fast, even heating.
- Plates are 9" (229) diameter for maximum pan contact.
- Solid top prevents spills from entering unit making clean-up easy.
- Infinite heat controls for maximum cooking flexibility.

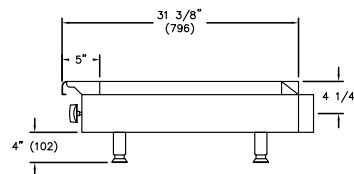
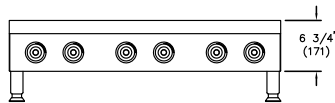
#### EXTERIOR FEATURES - Stainless steel front, top and sides for cleanability and professional look.

- Welded and polished stainless steel seams.
- Range Match profile when placed on a refrigerated base or equipment stand.
- Large 5" (127 mm) stainless steel landing ledge is ideal for plating.
- Control knobs are durable cast aluminum with a Valox™ "cool to the touch" grip.
- 4" (102 mm) heavy duty legs with adjustable feet.
- One year parts and labor warranty.





IHPA-6-36-E



**ELECTRIC HOT PLATES - 31-3/8" (797 MM) DEPTH**

TOP	WIDTH	MODEL	ROUND ELEMENTS	TOTAL KW	SHIP WEIGHT (KG)	LBS
	12" (305 mm)	IHPA-2-12-E	2	4	(37)	80
	24" (610 mm)	IHPA-4-24-E	4	8	(64)	140
	36" (914 mm)	IHPA-6-36-E	6	12	(95)	210
	48" (1219 mm)	IHPA-8-48-E	8	16	(123)	270
	60" (1524 mm)	IHPA-10-60-E	10	20	(147)	325

Measurements in ( ) are metric equivalents.

ELECTRICAL REQUIREMENTS				
MODEL	TOTAL KW	VOLTS	PH	TOTAL AMPS
IHPA-2-12-E	4	208	1	19
	4	208	3	14
	4	240	1	17
	4	240	3	13
	4	480*	3	6
IHPA-4-24-E	8	208	1	39
	8	208	3	29
	8	240	1	33
	8	240	3	25
	8	480*	3	13
IHPA-6-36-E	12	208	1	58
	12	208	3	38
	12	240	1	50
	12	240	3	33
	12	480*	3	17
IHPA-8-48-E	16	208	1	77
	16	208	3	58
	16	240	1	67
	16	240	3	50
	16	480*	3	25

MODEL	TOTAL KW	VOLTS	PH	AMPS	
				J-BOX "A"	J-BOX "B"
IHPA-10-60-E	20	208	1	48	48
	20	208	3	43	43
	20	240	1	42	42
	20	240	3	37	37
	20	480*	3	19	19

\* For export only, additional charge.  
NOTE: IHPA-10-60-E has 2 J-Boxes.

**CLEARANCE REQUIREMENTS**

For use only on non-combustible surfaces. Provide 0" clearance from non-combustible surfaces and 8" (203 mm) from combustible surfaces.

**OPTIONS AND ACCESSORIES**

- Stainless steel equipment stands
- 6" (152 mm) casters for equipment stands
- 480 volts (additional charge)

**MODEL DIMENSIONS**

IHPA-2-12-E	12" w x 31-3/8" d x 10-3/4" h (305 x 797 x 273 mm)
IHPA-4-24-E	24" w x 31-3/8" d x 10-3/4" h (610 x 797 x 273 mm)
IHPA-6-36-E	36" w x 31-3/8" d x 10-3/4" h (914 x 797 x 273 mm)
IHPA-8-48-E	48" w x 31-3/8" d x 10-3/4" h (1219 x 797 x 273 mm)
IHPA-10-60-E	60" w x 31-3/8" d x 10-3/4" h (1524 x 797 x 273 mm)

**MODEL CRATED DIMENSIONS**

IHPA-2-12-E	14-1/2" w x 35" d x 12" h (368 x 889 x 324 mm)
IHPA-4-24-E	26-1/2" w x 35" d x 12" h (673 x 889 x 324 mm)
IHPA-6-36-E	38-1/2" w x 35" d x 12" h (978 x 889 x 324 mm)
IHPA-8-48-E	50-1/2" w x 35" d x 12" h (1283 x 889 x 324 mm)
IHPA-10-60-E	62-1/2" w x 35" d x 12" h (1588 x 889 x 324 mm)

