



# KMD-860M\_J

## MODULAR CRESCENT CUBER



KMD-860M\_J  
03/15/18  
Item # 13232

Item #: \_\_\_\_\_  
 Project: \_\_\_\_\_  
 Qty: \_\_\_\_\_  
 AIA#: \_\_\_\_\_

**W x D x H**  
30" x 24<sup>5/8</sup>" x 28"

Shipping Dimensions  
33<sup>1/4</sup>" x 33<sup>1/2</sup>" x 28"

### KM Edge DESIGN


**KMD-860MAJ**  
Air-Cooled  
Shown on optional  
Lancer 30" dispenser



**KMD-860MWJ**  
Water-Cooled

**KMD-860MRJ**  
Remote Air-Cooled



## Features

- ▶ Individual crescent cube
- ▶ Stainless steel evaporator
- ▶ CycleSaver™ design 

- Up to 967 lbs. of ice production per 24 hours
- Durable stainless steel exterior
- Protected by H-Guard Plus  Antimicrobial Agent
- EverCheck™ alert system 
- Removable air filters
- R-404A Refrigerant

### Available on Bins:

**B-250PF B-700PF/SF B-900PF/SF B-1300SS B-1650SS\***  
**BD-500PF/SF B-800PF/SF B-1150SS B-1500SS\***

*Top kit may be required. See Bin Spec Sheets. \*Two unit application only.*

### Warranty:

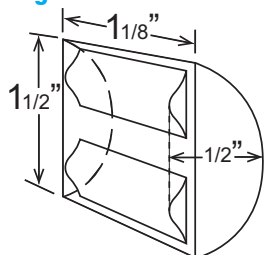
3 Year Parts & Labor on entire machine. 5 Year Parts & Labor on Evaporator. 5 Year Parts on Compressor; air-cooled condenser coil. Valid in United States, Canada, Puerto Rico and U.S. Territories. Contact factory for warranty in other countries.



Condenser	Model	ICE PRODUCTION		WATER USAGE			ELECTRICAL						
		Air / Water Temp Lbs. per 24 hours 70°/50°F 90°/70°F		Potable Gal. per 100 lbs. 90°/70°F	Condenser Gal. per 100 lbs. 90°/70°F	kWh Used per 100 lbs. 90°/70°F	Max. Fuse Sz or HACR Circuit Bkr	Amperage	Voltage	Circuit Wires (including ground)	Heat Rejection BTU/hr.	Refrigerant Charge Amount	Net / Ship Weight (lbs.)
Air	KMD-860MAJ	855	665	30.0	N/A	5.16	20A	9.9A	208-230V/60/1	3	13,100	2 lbs. 6.8 oz.	218 / 248
Water	KMD-860MWJ	940	862	20.5	139	3.90	20A	8.5A	208-230V/60/1	3	11,000	1 lb. 12.2 oz.	228 / 258
Remote	KMD-860MRJ	967	850	18.2	N/A	5.05	20A	12.5A	208-230V/60/1	3	13,000	5 lbs. 15.9 oz. 9 lbs. 14.7 oz.*	226 / 256

\*(with condenser)

### KM Edge Cube Dimensions\*



\* approximate size in inches, image not to scale

### Operating Limits

- Ambient Temp Range 45 - 100°F
- Water Temp Range 45 - 90°F
- Water Pressure 10 - 113 PSIG
- Voltage Range 187 - 253V

### Service

- Panels easily removed and all components accessible for service.
- Allow 6" (15cm) clearance at rear, sides, and top for proper air circulation and ease of maintenance/service.

### Plumbing

- Icemaker Water Supply Line: Min. 1/4" Nominal ID Copper Water Tubing or Equivalent
- Icemaker Drain Line: Min. 3/4" Nominal ID Hard Pipe or Equivalent Water-Cooled Model (Lines Must Be Independent of Icemaker)
- Condenser Water Supply Line: Minimum 1/4" Nominal ID Copper Water Tubing or Equivalent
- Condenser Drain/Return Line: Minimum 1/4" Nominal ID Hard Pipe (open drain system) or Copper Water Tubing (closed loop system) or Equivalent

### Water Filter

Please refer to water filter specification sheet for recommendations.



# KMD-860M\_J

## MODULAR CRESCENT CUBER

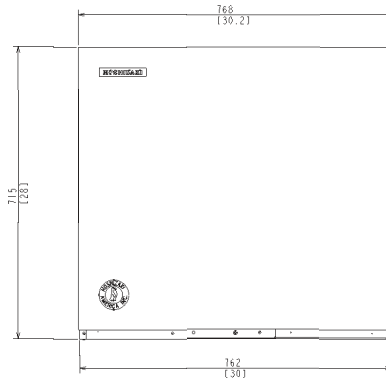


KMD-860M\_J  
03/15/18  
Item # 13232

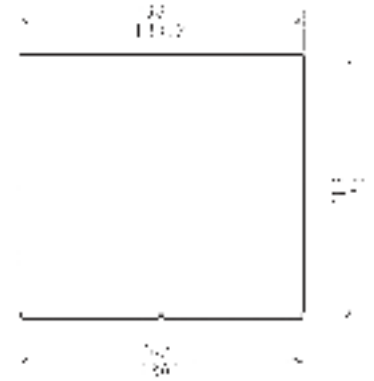
FRONT VIEW



AIR-COOLED

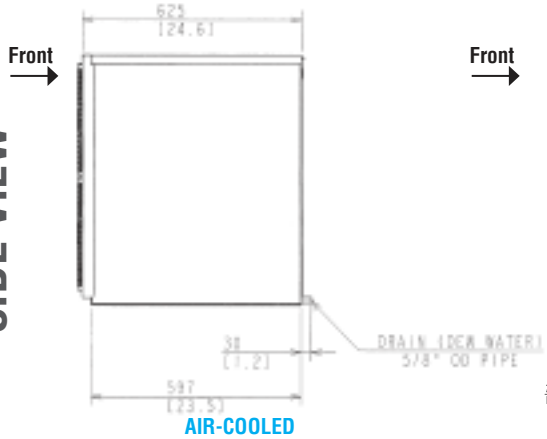


WATER-COOLED

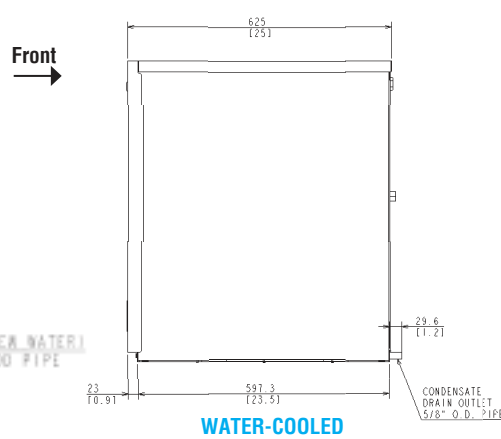


REMOTE AIR-COOLED

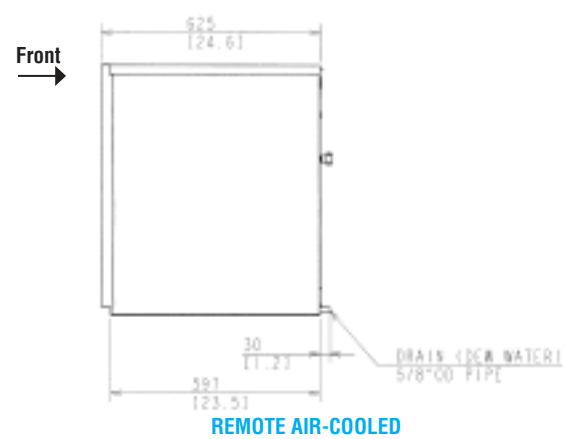
SIDE VIEW



AIR-COOLED

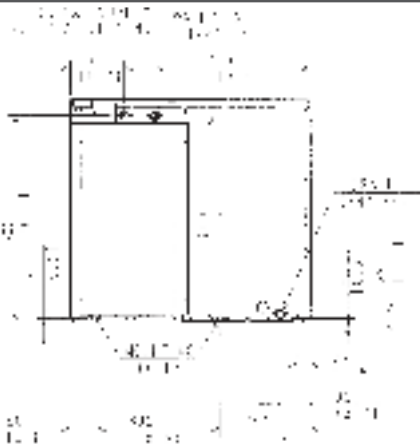


WATER-COOLED

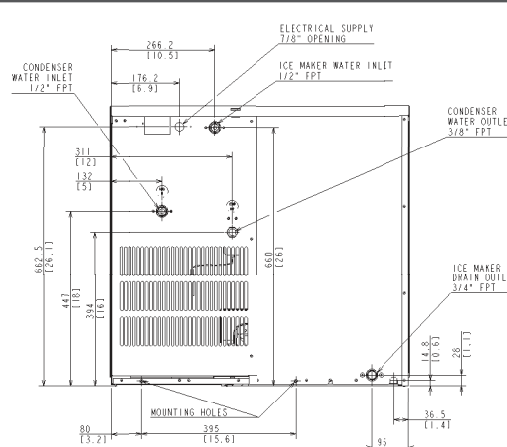


REMOTE AIR-COOLED

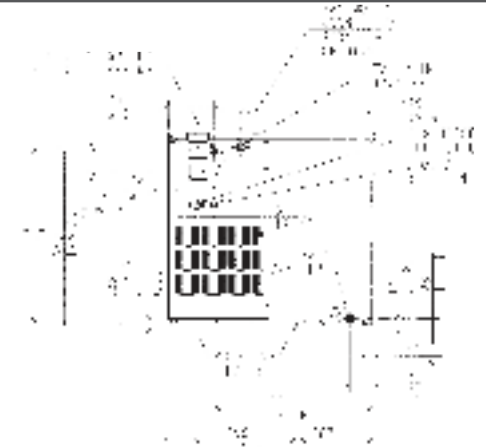
REAR VIEW



AIR-COOLED

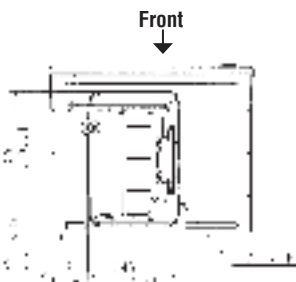


WATER-COOLED

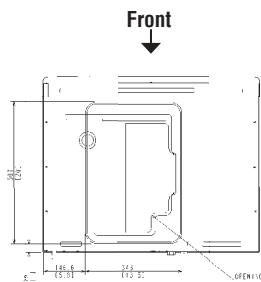


REMOTE AIR-COOLED

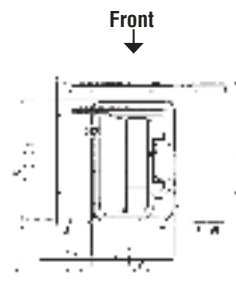
BOTTOM VIEW



AIR-COOLED



WATER-COOLED



REMOTE AIR-COOLED

URC-9F Remote Condenser (Sold Separately)  
(W x D x H) 35 11/16 x 14 1/16 x 36 1/2  
For Use with KMD-860MRJ



Pre-Charged Tubing Kits  
(Sold Separately)  
20' R404-2068-2  
35' R404-3568-2  
55' R404-5568-2

Voltage supply for the URC Remote Condenser is supplied from the Ice Maker. No additional circuit is required.

