

Heater Proofer Non-Insulated Under Counter

ITEM NO. _____

QUANTITY NO. _____

JOB NO. _____

SPEC NO. _____

100% Pre-Tested Electrical Assembly

Specifications:

- Heavy Duty, channel construction designed for durability.
Easy to Clean.
- Air baffle and circulating air blower provide even heat distribution.
- 4" polyurethane plate casters for easy maneuverability and stability. Two locking casters in front.
- Easy dual proof/heat control:
 - "Proof" mode: Humidity from 30% to 100%.
Temperatures up to 115°F (46°C)
 - "Heat" mode: Nominal Temperatures up to 185°F (85°C)
- Clear door. Extruded, anodized aluminum frame will not dull.
A tight fit gasket is installed on inside door frame, held closed with magnets, Lexan fits tightly into door frame.
- Door lifts off for easy cleaning and accessibility.
- Corner bumpers provide protection to unit, associates and fixtures.
- Unit has 5/8" polytop, can be used as a work station.
- Control drawer is removable for quick and easy cleaning and maintenance.
- All controls are accessible without opening cabinet door.
- Easy to read LED thermometer.
- Pan Capacity: 10 - 18" x 26" pans

Electrical Specifications:

- 120 Volt-60 Cycle A.C.
- 1440 Watts: 14.0 AMPS - Plug into any standard 110 outlet.



NHPL-1810/HH



NHP-PD-CH
Removable Drawer
Makes Cleaning Quick & Easy

Laboratory Certification
and Approval Symbols:



141 Eileen Way • Syosset, NY 11791 • Tel: 1-800-444-3595 • Fax: 516-921-0538

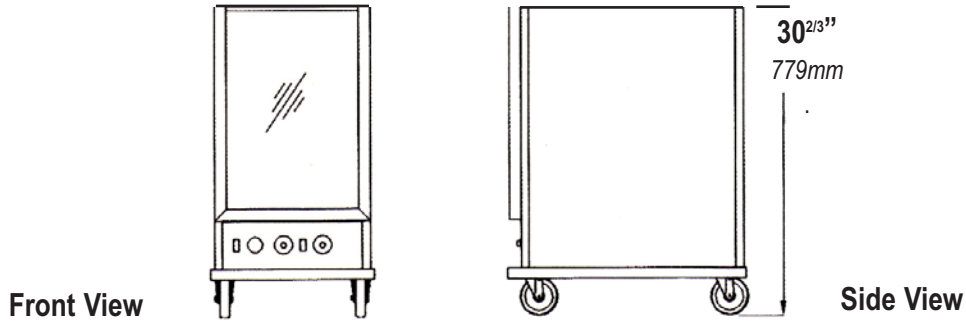
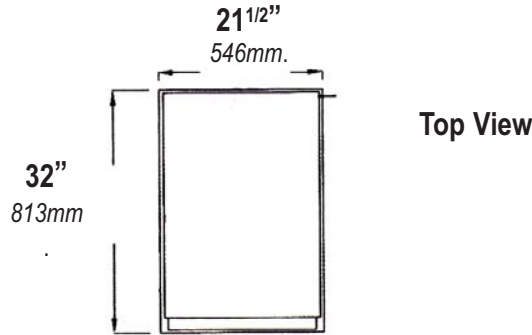
www.winholt.com • sales@winholt.com

NEW YORK • PENNSYLVANIA • GEORGIA • TEXAS • CALIFORNIA • MEXICO • CHINA

Heater Proofer Non-Insulated Under Counter

ITEM NO. _____
 JOB NO. _____
 SPEC NO. _____

Heater Proofer Non-Insulated Under Counter



Model Number	Ordering Number	Feature	Overall Dimensions						Approx. Ship Weight	
			Width		Length		Height		(lb)	(kg)
			(in)	(mm)	(in)	(mm)	(in)	(mm)		
NHPL-1810/HH	654320	Clear Door	21 ^{1/8}	537	32	813	30 ^{2/3}	779	91	41
Replacement Caster Information										
7351	123211	Swivel Plate Caster with 4" Polyurethane Wheel							—	
7351BK	206906	Swivel Plate Caster with 4" Polyurethane Wheel & Brake							—	
7125	122403	4" Polyurethane Wheel							—	

Win-Holt Equipment is a leading manufacturer of material & food handling equipment. Since 1946, retailers and restaurant chains have trusted Win-Holt's equipment to ensure increased productivity and efficiency in their operation. Multiple locations reduce logistics and transportation costs. All Win-Holt associates are dedicated to customer satisfaction.

For general sales and engineering information only. All units are subject to change without notice. Please consult factory for certified specifications.

141 Eileen Way • Syosset, NY 11791 • Tel: 1-800-444-3595 • Fax: 516-921-0538

www.winholt.com • sales@winholt.com

NEW YORK • PENNSYLVANIA • GEORGIA • TEXAS • CALIFORNIA • MEXICO • CHINA