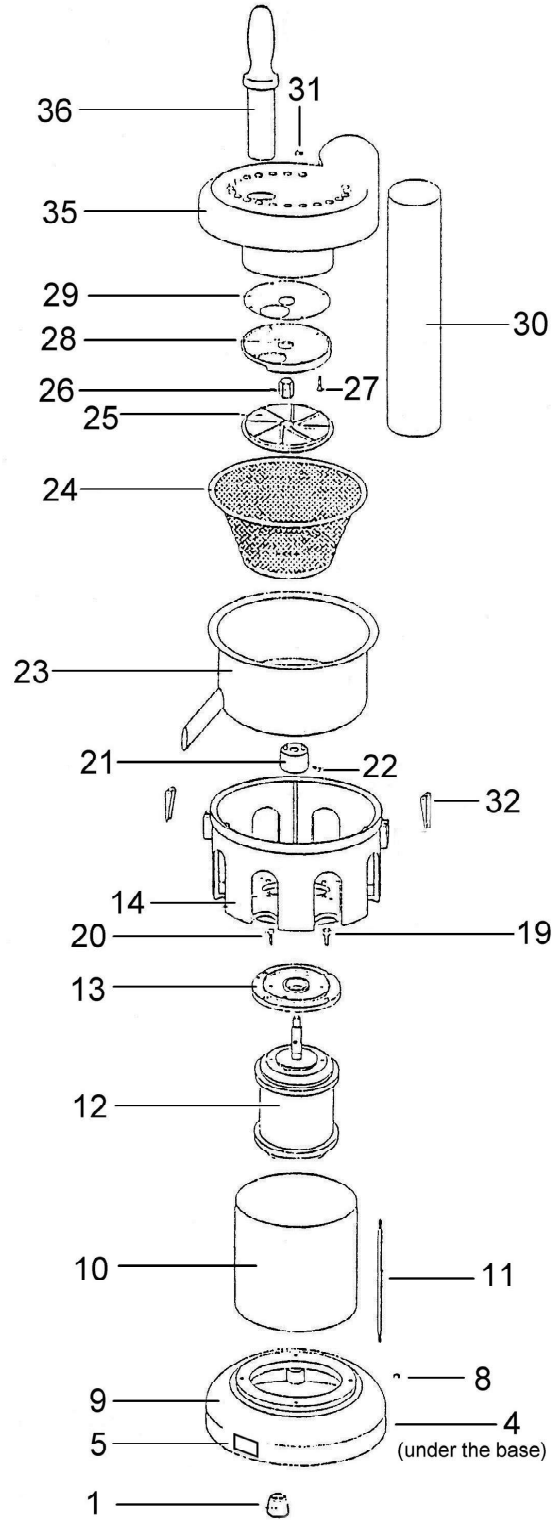


## DIAGRAM



**LIST OF COMMON PARTS FOR UJC-750E**

<b>PART NO.</b>	<b>ITEM ID</b>	<b>DESCRIPTION</b>
1	UJC-7P01	RUBBER FOOT
4	UJC-7P04	BASE PROTECTION PLATE
5	UJC-7P05	ON/OFF SWITCH
8	UJC-7P08	NUT
9	UJC-7P09	BASE
10	UJC-7P10	CENTER HOUSING
11	UJC-7P11	CONNECTING SCREW ROD
12	UJC-7P12	ELECTRIC MOTOR
13	UJC-7P13	FLANGE
14	UJC-7P14	UPPER HOUSING
19	UJC-7P19	SCREW
20	UJC-7P20	SCREW
21	UJC-7P21	CONNECTING AXLE
22	UJC-7P22	SCREW
23	UJC-7P23	JUICE CONTAINER
24	UJC-7P24	FILTER
25	UJC-7P25	MOVABLE CUTTING KNIFE
26	UJC-7P26	FASTEN NUT
27	UJC-7P27	SCREW
28	UJC-7P28	FIXED CUTTING KNIFE
29	UJC-7P29	SEAL (ON FIXED KNIFE)
30	UJC-7P30	PULP EJECTING PIPE
31	UJC-7P31	SCREW
32	UJC-7P32	ADJUSTMENT CLIP COMPLETE
35	UJC-7P35	TOP COVER
36	UJC-7P36	FEED STOMPER
<b>NOT SHOWN IN THE DIAGRAM</b>		
	UJC-7P38	ELECTRIC CORD
	UJC-7P80	BEARING WHEEL MOTOR BOTTOM
	UJC-7P96	WRENCH
	UJC-7P99	CABLE CLIP