

Copper Beech Range

Gas Convection Oven



CBCO-G Gas convection oven

STANDARD FEATURES

- Stainless steel front, galvanized sides w/ HD support
- Direct fired gas burner(3 18,000 BTU/hr each)
- Temperature adjusts from 167° F to 563° F
- Porcelainized interior for easy cleaning
- Dual pane thermal glass windows
- 60-minute electric timer w/ bell
- ½ hp fan motor with dual-speed control
- Removable 13-position rack guides
- 4 heavy duty chrome plated racks
- Cool down function
- Interior chamber light
- Double stacking options to optimize kitchen space
- Automatic ignition system for gas safety
- Micro switch for complete shut off once door is opened
- 3/4" NPT rear gas connection
- One year limited parts and labor warranty
- Castors included



INSTALLATION INSTRUCTIONS

1. A gas pressure regulator supplied with the unit must be installed. Natural Gas 4.0" (102 mm) W.C. Propane Gas 10.0" (254 mm) W.C.
2. An adequate ventilation system is required for commercial cooking equipment.
3. These units are manufactured for installation in accordance with National Fuel Gas Code, ANSI-Z223.1/NFPA #54 (latest edition).
4. This appliance is intended for commercial installation only and is not intended for home use.
5. Equipment clearance requirement:

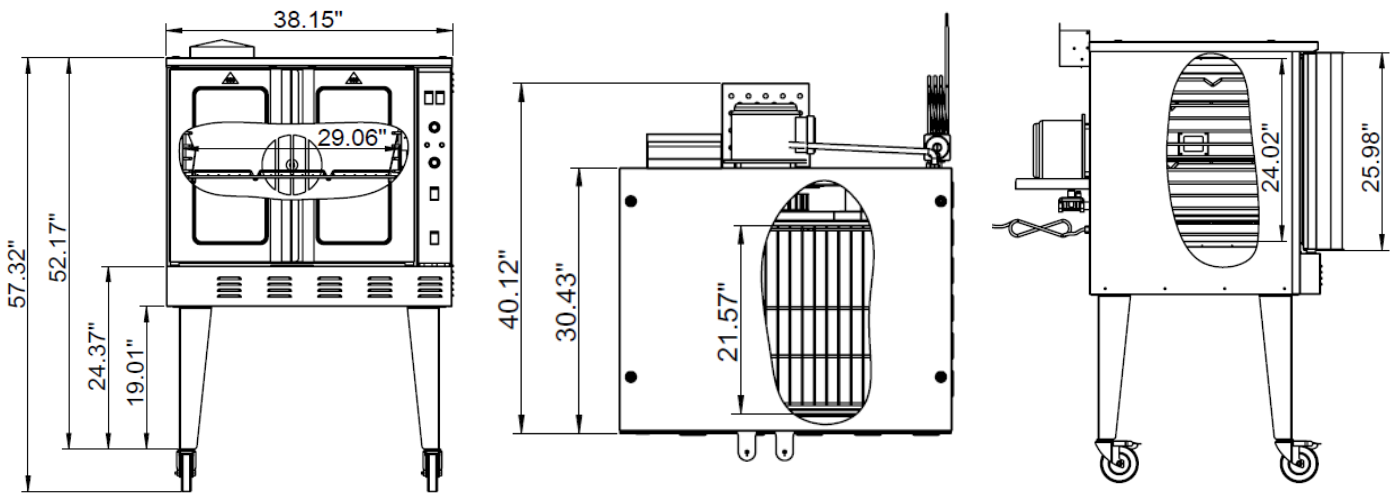
Non-Combustibles	Combustibles
Sides 0"	Sides 4"
Back 0"	Back 4"
6. All the installation must be performed by qualified technicians.
7. For gas conversion, please refer to conversion instructions in the Instruction Manual Book.

JMC Furniture
Spartan/Bison Refrigeration
P: 855-525-5505
F: 863-816-5883



Copper Beech Range

INSTALLATION DRAWING



Model	Description	Total Input BTU/HR	Packing Size(IN)	N/W (LB)	G/W (LB)
CBCO-G	Gas Convection Oven	54,000	46x42x42	408	606